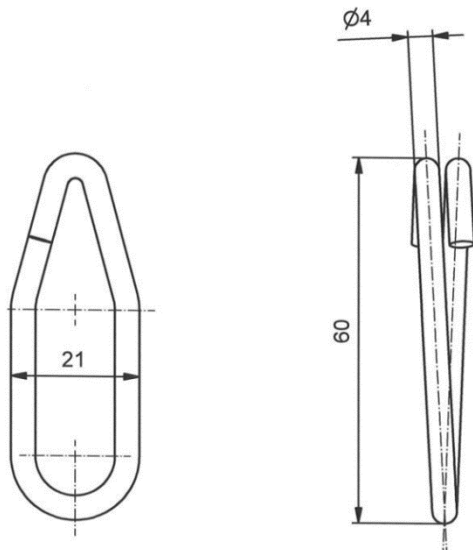


P73 JOINER CLIP

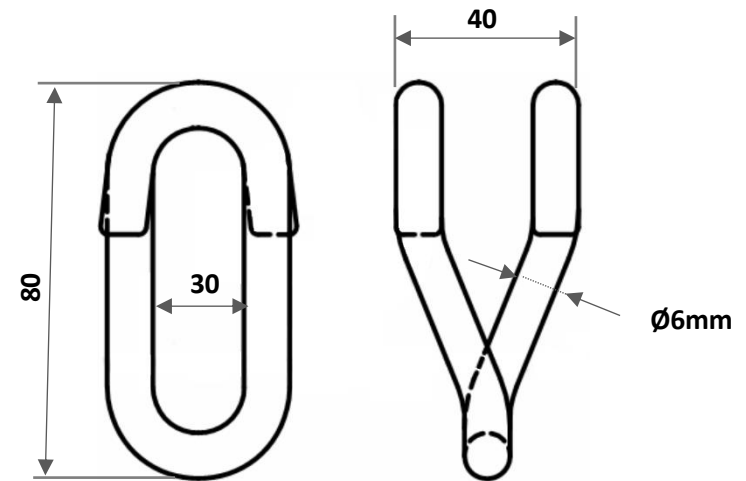
Width:	21 mm
Height:	60 mm
Thickness:	4 mm Diameter
Steel grade:	High-tensile steel wire
Tensile strength:	≥ 1'770 N/mm ²
Galvanised:	Zn/Al coating with a minimum thickness of 150g/m ²



P87 PRESS CLIP

Width:	40 mm
Height:	80 mm
Thickness:	6 mm Diameter
Steel grade:	Q235
Tensile strength:	470 N/mm ² to 630 N/mm ²
Galvanised:	Zn/Al coating with a minimum thickness of 290g/m ²

NOTE: The P87 Press Claw dimensions vary based on diameter of steel wire rope requirements. (Image below depicts a steel Wire rope diameter up to 28mm)



Terms & Conditions can be found [here](#) (web page)



Q235 Steel Equivalent Grades															
Chinese		US		European Union		Britain (UK)		Australian		Japan		Indian		ISO	
Standard	Grade	Standard	Grade	Standard	Grade (Steel Number)	Standard	Grade (Steel Number)	Standard	Grade	Standard	Grade	Standard	Grade	Standard	Grade
S8/T 700	Q235A					B5 970 Prt 1	080A15			JIS G 3101,		IS 2062	E250A		
S8/T 700	Q235B	ASTM A36,	A36;	EN 10025-2	S235JR (1.0028)	B5 EN 10025-2	S235JR	AS/NZS 3678	250	JIS G 3106	SS-400, SM400A	IS 2062	E250B		
S8/T 700	Q235C	ASTM A283/A283M,	Grade D	EN 10025-2	S235J0 (1.0114)	B5 EN 10025-2	-1.0038	AS/NZS 3678	250L0	JIS G 3106	SM400A,	IS 2062	E250C	ISO 630-2	S235B
S8/T 700	Q235D	ASTM A36,	A36;	EN 10025-2	S235J0	B5 EN 10025-2	S235J0 (1.0114);	AS/NZS 3678	250L20	JIS G 3106	SM400B	IS 2062	E250C	ISO 630-2	S235B, S235C
		ASTM A283M	Grade D		S235J2 (1.0117)		S235J2 (1.0117)								

REV.2023_0