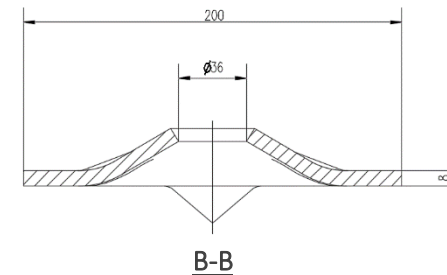
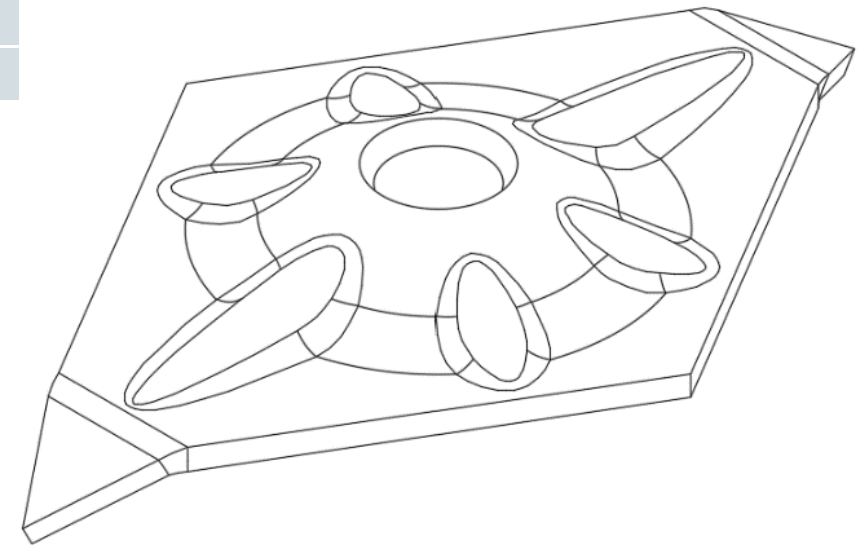
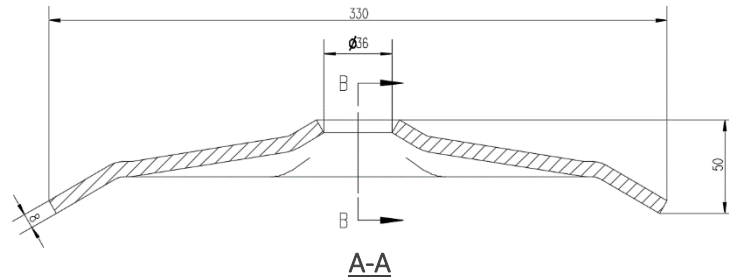
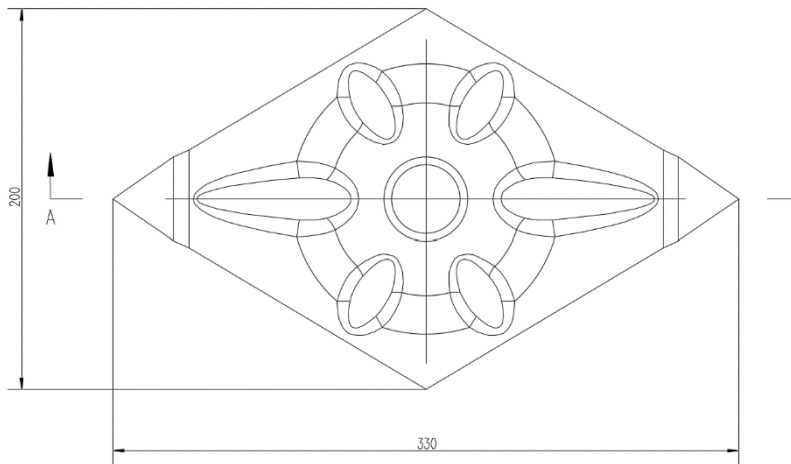




GEO EQUIP AFRICA
 G E A ROCK & SLOPE STABILIZATION PRODUCTS

Rock / Slope Spike Guard Plate	
Length:	330 mm x 205 mm
Height:	50 mm
Thickness:	8 mm or 10 mm
Hole diameter:	36 mm
Weight:	± 2.5kg
Geometry:	diamond
Steel grade:	Q235
Minimum tensile strength:	235 Mpa



Terms & Conditions can be found here ([web page](#))