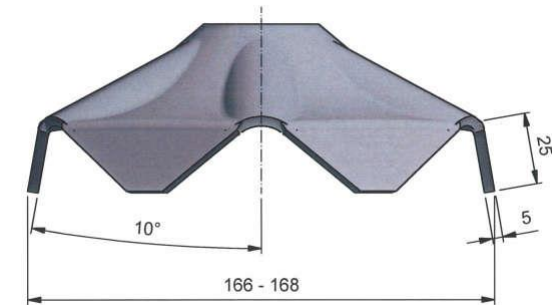
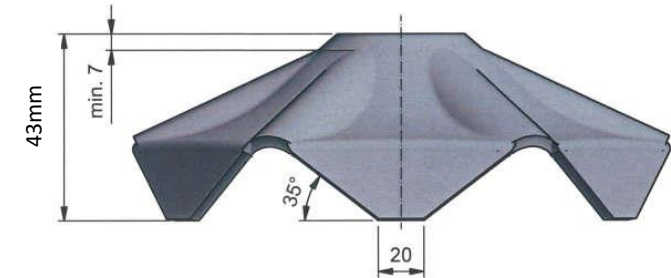
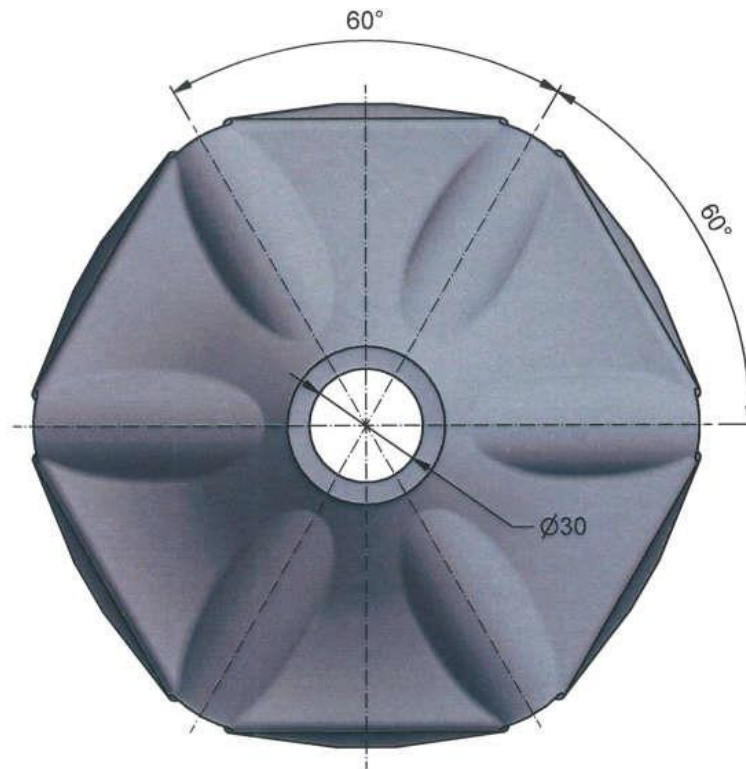




GEO EQUIP AFRICA
 G E A ROCK & SLOPE STABILIZATION PRODUCTS

Civil & Underground Dome Plate

Length:	150 to 153 mm
Height:	40 to 43 mm
Thickness:	3 mm, 4mm, 5mm
Hole diameter:	20 - 40 mm
Weight:	0.605 to 0.900kg
Geometry:	hexagonal
Steel grade:	HR190
Minimum tensile strength:	290 Mpa



Terms & Conditions can be found [here](#) (web page)